



		SM 6	SM 6 UN	SM 13	SM 13 UN	SM 15	SM 15 UN
Dimensions	length (mm)	1200	1200	1200	1200	1200	1200
	width (mm)	1000	1000	1000	1000	1000	1000
	height (mm)	1175	1175	1146	1146	1175	1175
	nominal volume ¹ (l)	1000	1000	1000	1000	1000	1000
	brimful volume (l)	1050	1050	1050	1050	1050	1050
Approval	UN 31/HA1/Y		•		•		•
Type of pallet	Wood, runner	•	•				
	Composite Steel-Plastic, frame			•	•		
	Composite Steel-Plastic, runner			•	•		
	Full plastic, runner*			•	•	•	•
Bottle	HDPE, UV-stabilised	•	•	•	•	•	•
	Ex-protection		•		•		•
	Light protection	•	•	•	•	•	•
	Permeation barrier	•	•	•	•	•	•
Scew cap/filling opening	DN 150 ^{1,2}	•	•	•	•	•	•
	DN 225 ^{1,2}	•	•	•	•	•	•
Additional top bung³	BCS 56 x 4	•	•	•	•	•	•
Discharge valve	Butterfly DN 50 ⁴	•	•	•	•	•	•
	Cylindrical DN 50 ⁴		•		•		•
	Butterfly DN 80 ⁵	•	•	•	•	•	•
	Without valve		•		•		•
	Connection DN 150	•	•	•	•	•	•
Discharge tube	DN 50	•	•	•	•	•	•
	DN 80	•	•	•	•	•	•
Label plate	Front 235 mm x 502 mm	•	•	•	•	•	•
	Front and rear 400 mm x 502 mm		•		•		•
	Front and rear 400 mm x 670 mm	•	•	•	•	•	•
	Side 400 mm x 610 mm	•	•	•	•	•	•

- Standard A 1250 l (330 gal) available in US.
- Optional 1 Optional with integrated venting or centre bung.
- 2 Standard EPDM gasket, optional with FKM gasket.
- 3 Optional equipped with dip tube system.
- 4 Connection CCS 60 x 6, NPS 2", 2"- or 1.5"-Camlock.
- 5 Connection CCS 100 x 8, NPS 3".

* EU version: runner, US version: window.

- Special Orders

Complete IBC Services

VIP Packaging's Sustainability Services division is a leading IBC service provider in Australia and New Zealand. With national collection, buying and reconditioning services, VIP can offer customers a lower cost and a more environmentally sound solution for bulk packaging.

Key benefits of using our IBC services include:

COLLECTION of IBCs

- Our national collection and buying service covers all types and brands of IBCs.
- TO ARRANGE COLLECTION, simply fill in the Collection Ticket supplied with your IBC and fax it back to the number provided on the ticket.

RECONDITIONING and REBOTTLING SERVICES

- Our reconditioning and rebottling services extend the life of IBCs without compromising quality.
- We have the capability to recondition all brands of IBCs in the market.

TOTAL FLEET MANAGEMENT

- Tailor made solutions are available to suit each customer's needs.

VIP Packaging Sustainability Services is proud to be a supporting member of Mauser ReCollect – a worldwide IBC collection service.

We make it. We take it.
To recycle call 1300 79 7326

NEW IBC
All IBCs must be emptied for collection.
AUS/VSS

Inspected by.....
Date.....
Leak tested

SHAPING TOMORROW
HELPING YOU WITH SUSTAINABLE SOLUTIONS

360°
solution



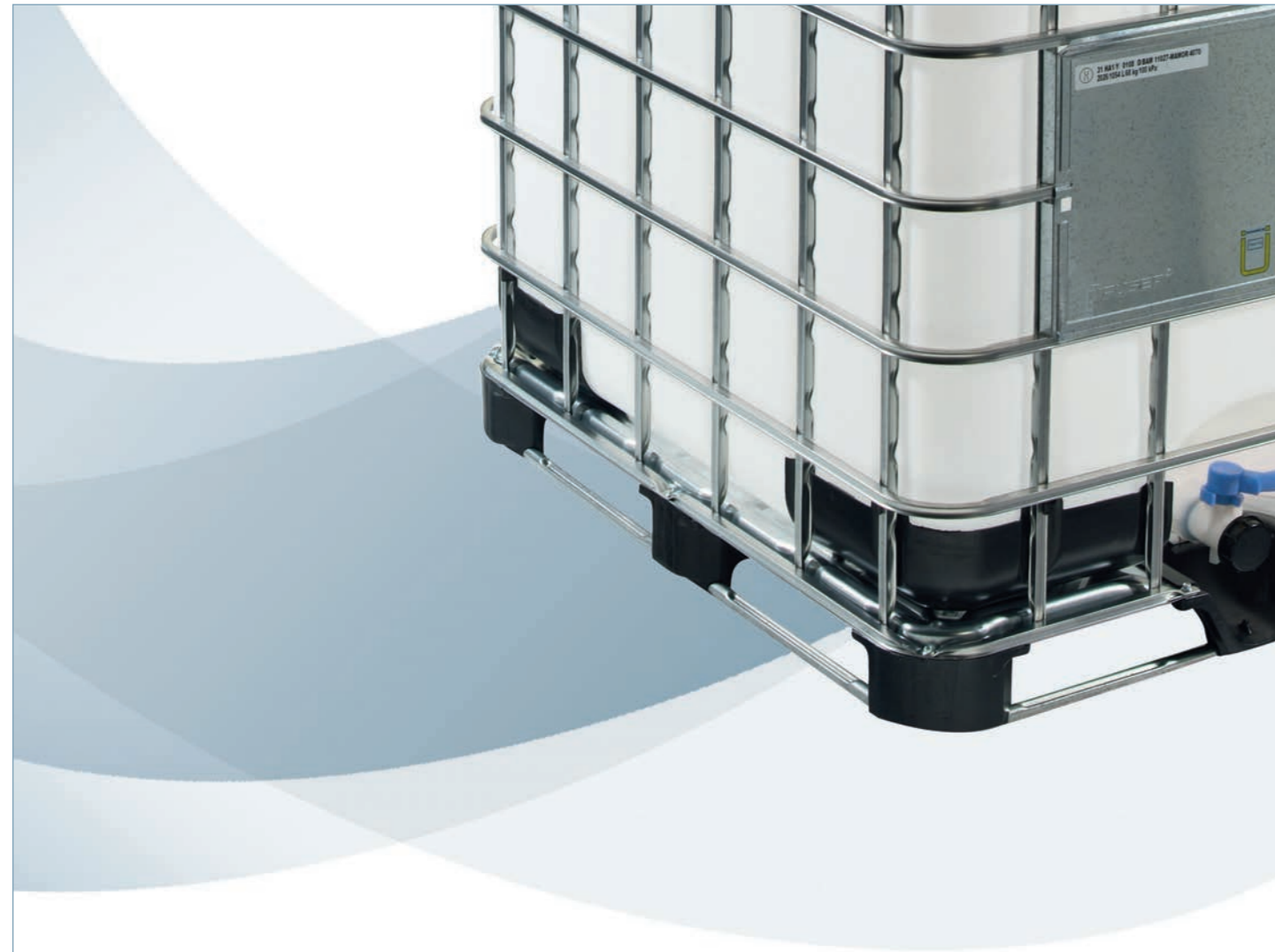
For New and Reconditioned IBC
Sales or Collections contact:

AUSTRALIA 1300 79 7326
NEW ZEALAND +64 9 634 3775
EMAIL sustainability@vippackaging.com.au
VISIT www.vippackaging.com.au

Intermediate Bulk Containers

SHAPING TOMORROW
HELPING YOU WITH SUSTAINABLE SOLUTIONS

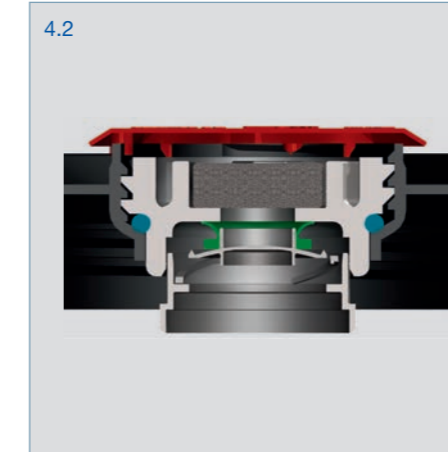
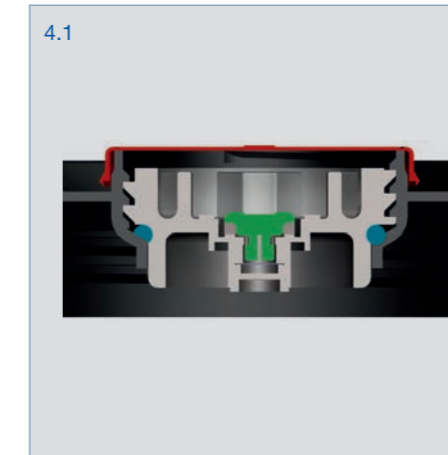
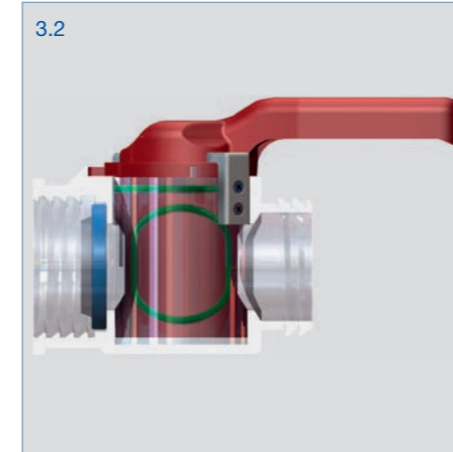
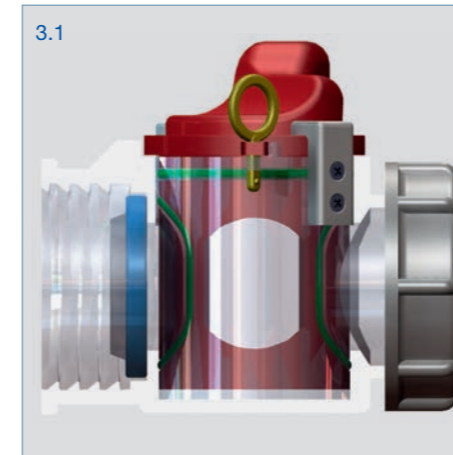
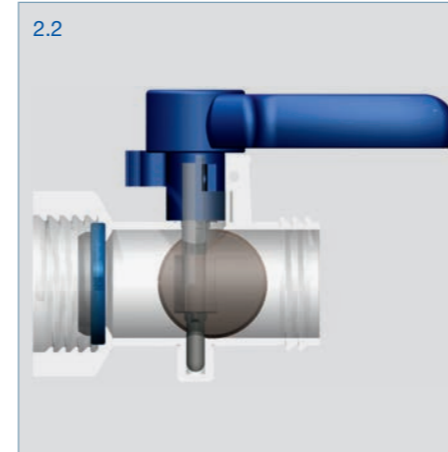
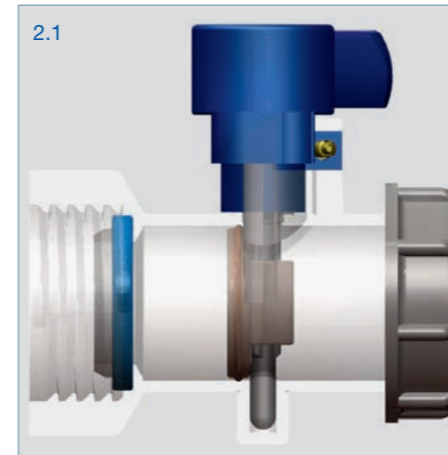
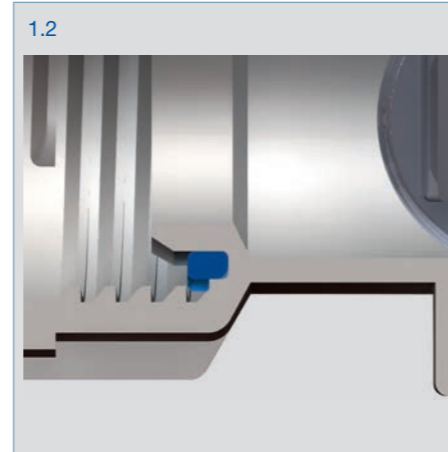




VIP Packaging introduces the MAUSER® SM IBC – designed for hazardous or sensitive filling goods

VIP Packaging (VIP) is the leading plastic and steel packaging solutions provider in Australia and New Zealand, delivering innovative technologies and sustainable outcomes for our customers.

VIP is a well established Intermediate Bulk Container (IBC) service provider offering comprehensive reconditioning and cleaning services. To expand our offering to best service our customers, we have secured the sole Australian manufacturing rights of the internationally acclaimed MAUSER® SM IBC - a high quality IBC designed to meet the tough needs of industrial, chemical and food packaging.



MAUSER discharge valves. Simply the best.

For all applications

MAUSER® SM discharge valves have a rigid, one-piece polyethylene body which increases both their strength and resistance to corrosion. In addition, they have a retained gasket which improves the efficiency of the seal. The choice of polyethylene as the gasket material avoids the need to evaluate compatibility in relation to filling goods. IBC discharge valves are so critical to the integrity of the complete IBC that MAUSER produce all their valves in just one factory, giving total control over production and quality. The valves are produced in the most modern, injection moulding facility and completed in full automation. 100 % inspection is used to secure functionality and liquid tightness. In manufacturing, the fitting of the valve to the bottle is also automated in a fully controlled process.

Butterfly valve DN 50 (2") and DN 80 (3")

Simple construction and easy to use: these are the characteristics of this robust Butterfly valve. The ETFE seal used for the valve flap has outstanding chemical compatibility. For additional mechanical strength all moveable components are made of fibreglass-filled plastics.

Cylindrical valve DN 50 (2")

Comparable to the ball valve, the Cylindrical valve works with an internal cylinder which is rotated by the handle into the open or closed position. In the open position, it permits unrestricted flow, which can be regulated by the movement of the handle. The Butterfly and the Cylindrical discharge valves are available in metric and NPS threads or with quick connect in 2" and 1.5" sizes. A variety of adaptors are available.

- 1.1 Valve body
- 1.2 Retained gasket
- 2.1 Butterfly valve – open
- 2.2 Butterfly valve – closed
- 3.1 Cylindrical valve – closed
- 3.2 Cylindrical valve – open

MAUSER accessories. More than just a standard.

Screw caps

Screw caps can be delivered in standard diameters of DN 150 (6") and DN 225 (9"). Both sizes are available in a plain version or with integrated venting. These venting systems are required for gaseous filling goods or, alternatively, when there are large temperature changes, such as with hot filling. Screw caps with a centre bung in BCS 56 x 4 or 2" NPS sizes are available for use with pumps or dip tubes.

Optivent®

This unique venting system, which is fully UN approved, enables the IBCs to be emptied without having to unscrew the cap. This is critical in such areas as offshore oil platforms or ultra-clean applications where contamination from the outside must be prevented. Any contamination is captured by an integrated filter system while the valve mechanism simultaneously permits a high level of air flow.

Pressure relief valve

This relief valve was developed for filling goods capable of dangerous reactions that include the release of large amounts of gas. During normal operations, the valve is closed in both directions, but, at a defined pressure level, the pressure relief valve opens and depressurises the IBC bottle.

Label plates

Steel label plates are available in small, medium and large sizes for the MAUSER® SM IBCs. To eliminate the possibility of damage to the IBC bottle, all edges are flanged and rounded off. There is also a XXL version made of plastic. All label plates are securely connected to the IBC cage though plates can be exchanged or additional plates fitted easily.

- 4.1 Pressure relief valve
- 4.2 Optivent® valve
- 5.1 Label plate large
- 5.2 Label plate medium
- 6.1 Screw cap DN 225
- 6.2 Screw cap DN 150 with integrated venting
- 6.3 Screw cap DN 150 with centre bung